

CAPTAIN COOK MEMORIAL JET



The Captain James Cook Memorial was constructed by the Commonwealth Government to commemorate the Bicentenary of Captain Cook's first sighting of the east coast of Australia in 1770. It is in two parts - the water jet located in the central basin of Lake Burley Griffin and the globe of the earth on the nearby shore. The design of the globe uses meridians of longitude and parallels of latitude to form an open-cage sphere with land masses depicted in copper. Lines on the globe illustrate Captain Cook's voyages.

[ABOVE LEFT] The water intake tunnel for the jet under construction.

[BELOW LEFT] The bronze globe under construction. Note the National Capital Exhibition and Canadian Flagpole in the background.

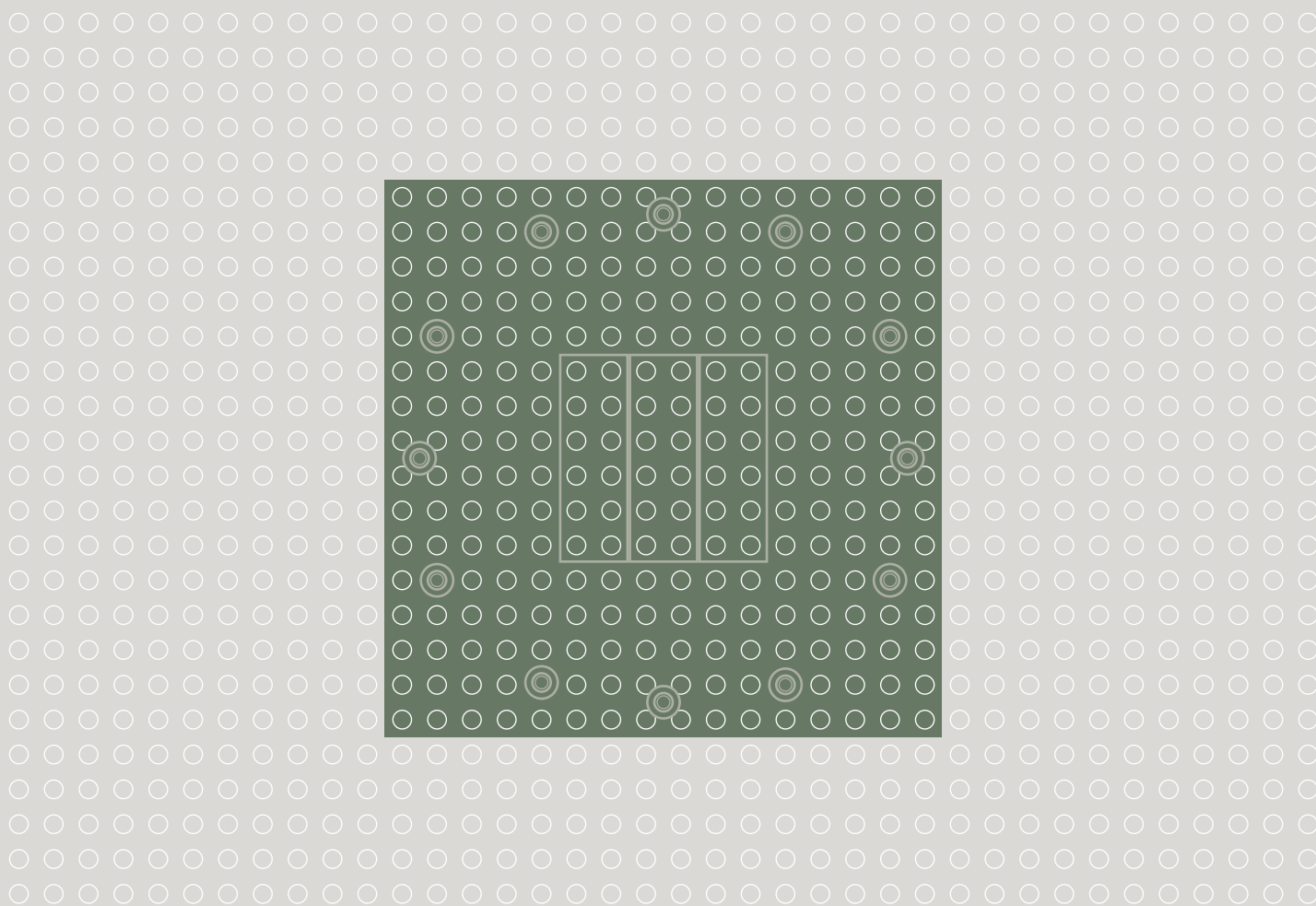
[ABOVE RIGHT] The water jet in operation today.

BLOCK FACTS

The jet sends three tonnes of water into the air at 260 kph. This water is drawn from the lake through a 50 metre long intake tunnel to the base of the underground pump house. The jet can be operated manually, or automatically - as it is between 2 and 4pm each day.

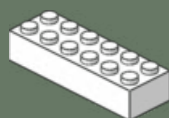
BASE LAYER

Use this guide to accurately lay out your first layer of bricks:



PARTS LIST

You will need:



x 5



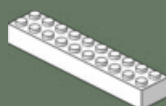
x 9



x 5



x 1



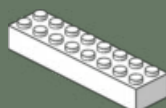
x 1
[10x2]



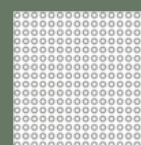
x 12



x 8

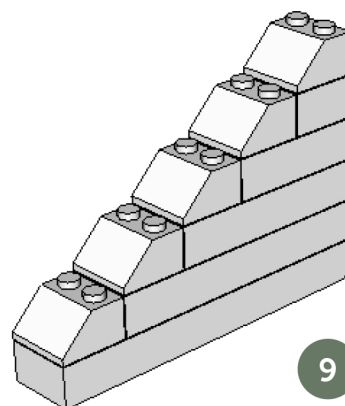
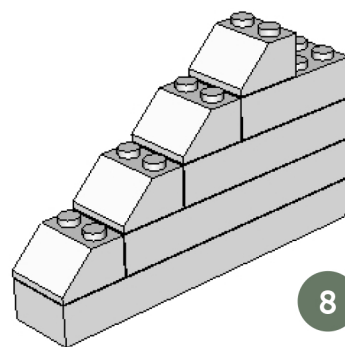
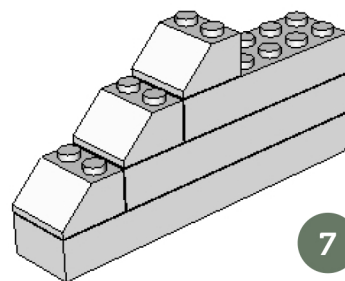
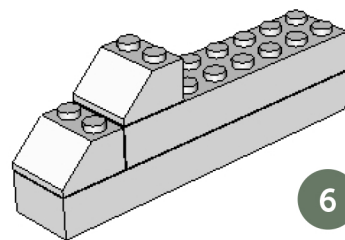
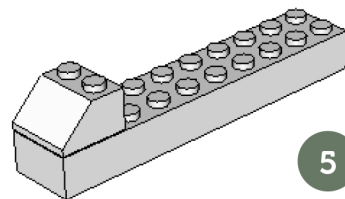
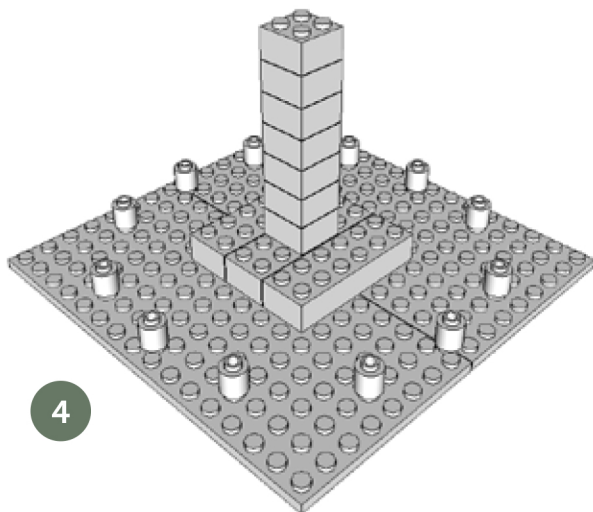
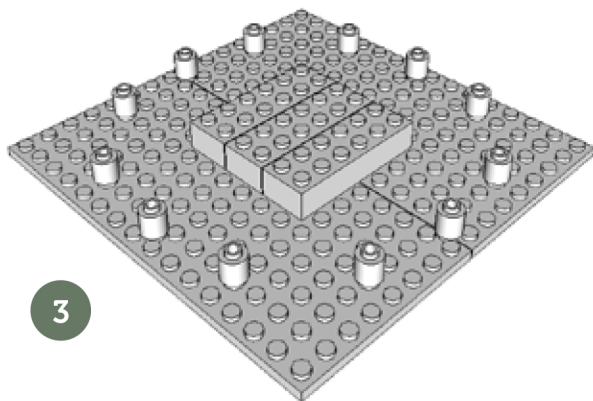
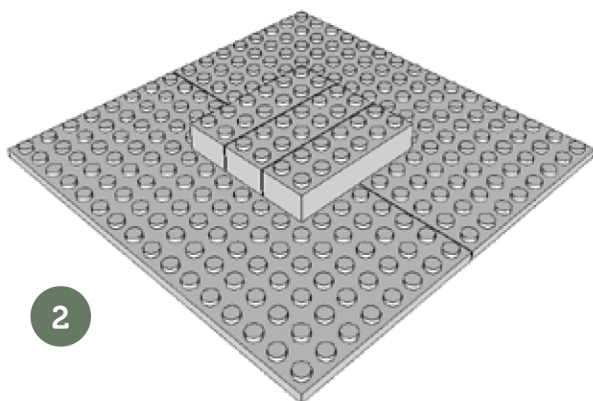
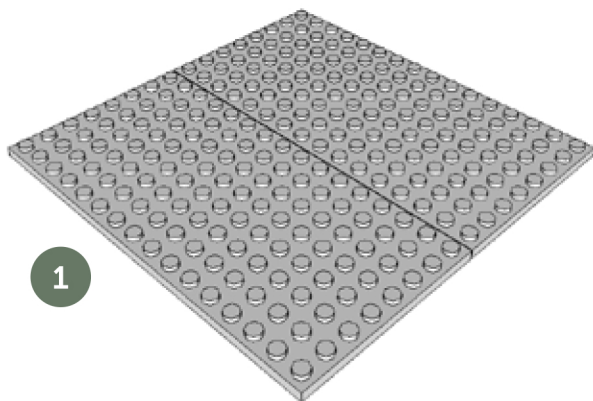


x 2
[8x2]

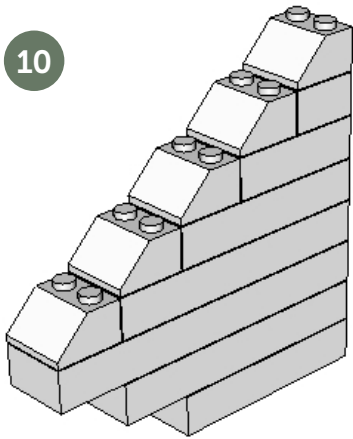


x 1
[16x16
plate]

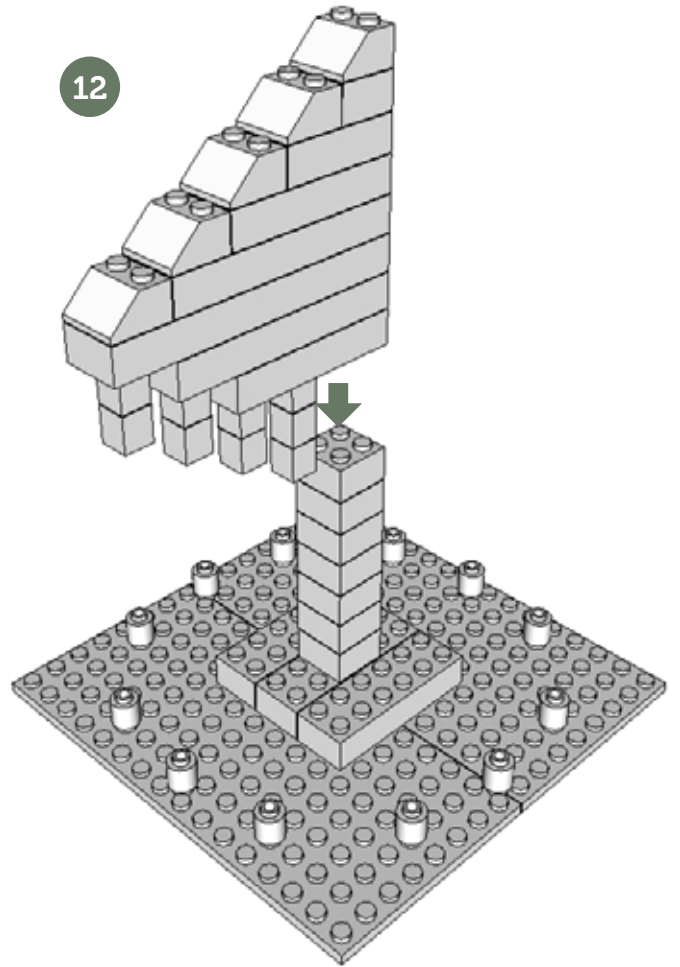
CAPTAIN COOK MEMORIAL JET



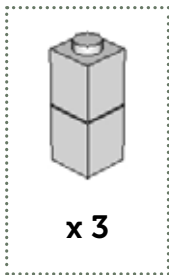
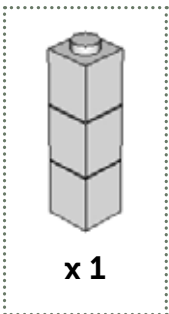
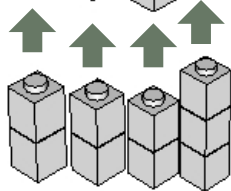
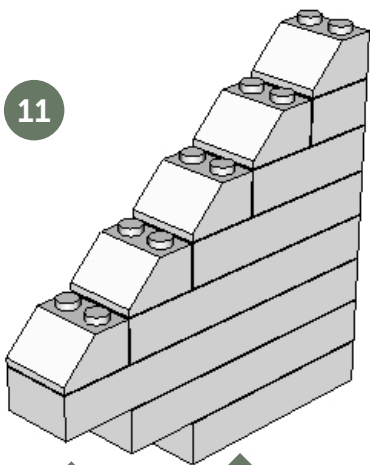
10



12



11



13

